



Integrated guest-room control

RC-Hospitality is a simple, flexible, sustainable guest-room integration solution from Reliable Controls that empowers you to use your front-desk property management system to automatically assign HVAC, lighting, and occupancy settings for any room on guest check-in. It enables the Reliable Controls system to optimize guest-room comfort, improve operational efficiency, and provide entire facility reporting and analysis. With RC-Hospitality and a Reliable Controls system, reducing your greenhouse gas emissions has never been easier.



Better by design



RELIABLECONTROLS.COM/RCH

PRODUCT FEATURES

Property Management System Integration

- Provides custom integration with OPERA property management systems (PMS).
- Networks into existing PMS using TCP/IP (Ethernet).
- Accommodates up to 2,000 rooms.

Set and Forget Configuration

- To configure, simply edit two .ini files using Notepad:
 - Use the RC-Hospitality.ini file to configure PMS TCP/IP network information and room identifiers. Room identifiers can be any alphanumeric character combination, such as PH1, Penthouse 1, BallRm-W, BallRoomWest, or 1234.
 - Use the BACdoc.ini file to configure the network interface card's BACnet address.

Intuitive Interface

- Main window contains the menu bar, room list, log list, and status bar.
- Menu bar contains the exit, view, help, PMS connection status, and language options.
- Room list screen shows the current configuration of rooms and their occupancy status according to the PMS, including the BACnet object properties for each room and the communication status of the BACnet device that controls it.
- Log list screen shows a running history of significant events.
- Status bar at the bottom of the interface displays the copyright notice and current version of the BACdoc.ini file.
- RC-Hospitality provides support for multiple languages.

BACnet Protocol

- Supports the international standard BACnet protocol: ISO16484-7 and ANSI/ASHRAE 135-2012.
- Integrates with existing HVAC and lighting controllers using BACnet/IP.
- Supports writing room status to any of the following BACnet objects:
 - Analog input
 - Binary input
 - Multistate input
 - Analog output
 - Binary output
 - Multistate output
 - Analog value
 - Binary value
 - Multistate value

Flexible Functions

- View menu provides access to the following:
 - Clear Log List function, which allows you to clear all messages from the log list.
 - Test Communications function, which sends a test signal to each room's configured BACnet device and displays the results in the log list.
 - Force Update function, which sends an immediate update to all occupancy objects.
 - Show OPERA Messages function, which switches the visibility of PMS messages in the log list.
 - Resynchronize Room Status function, which forces RC-Hospitality to request the status of all rooms from the PMS.

Certification

- Validated under Oracle Gold partner program.

TECHNICAL SPECIFICATIONS

Recommended Workstation Requirements

- Intel Core i5, 3 GHz PC processor.
- 128 MB or higher hard disk space free.
- 4 GB RAM.
- 1920 x 1080 pixel 32-bit color display.
- Two 100 Mbps Ethernet network interface cards.
- Microsoft Windows 10 operating system.

ORDERING

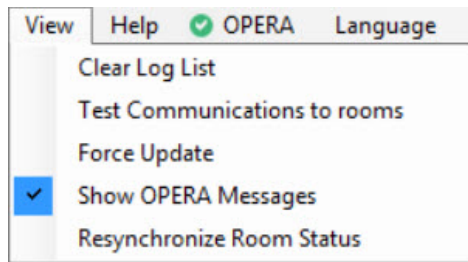
RC-H-S1

- Soft license for a single workstation. Includes 24 months of upgrades and bug fixes. No USB software key required.

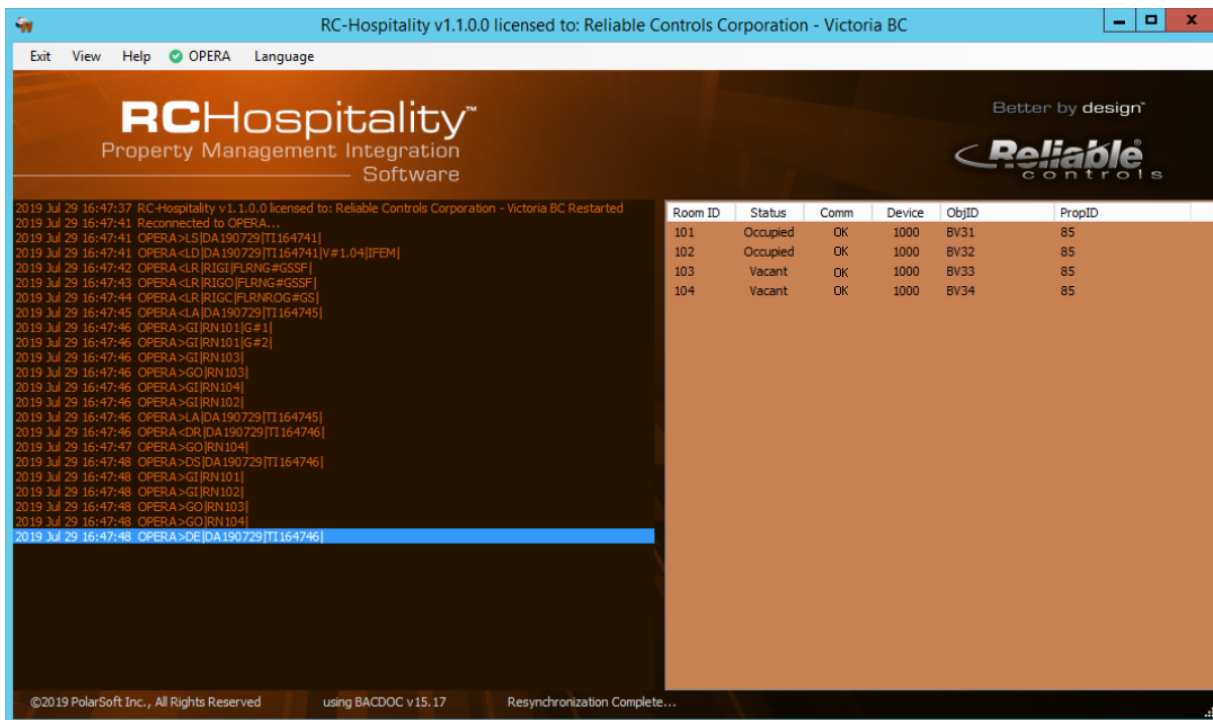
RC-H-S

- Optional subscription for 12 months of updates and bug fixes. Price automatically calculated at 10 percent of the current license value.

SCREEN CAPTURES

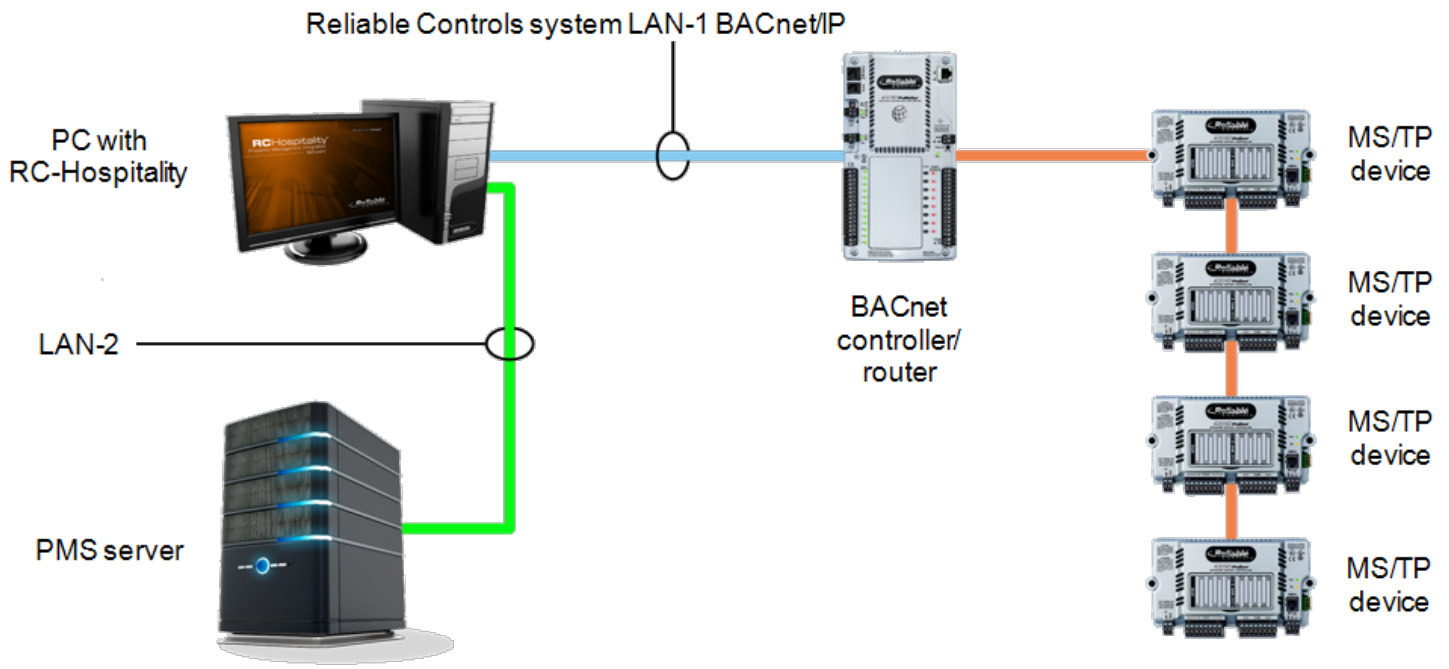


View menu



RC-Hospitality main window

NETWORK DIAGRAM



Dealer Information: